

## EA-P5 Modular Access Control Readers

Meet evolving security requirements

### Features

- Readers recognize existing employee 125kHz or 13.56MHz RFID cards
- Readers interchangeable and all fit H3-EM Modular
- Swinghandles sold separately

### Material

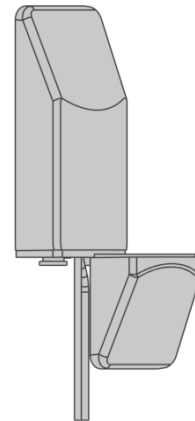
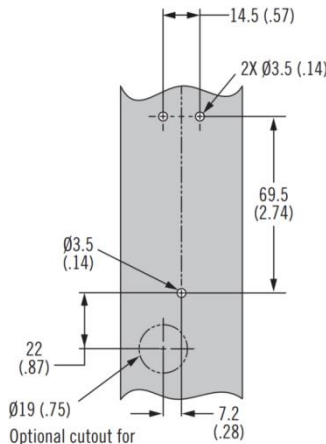
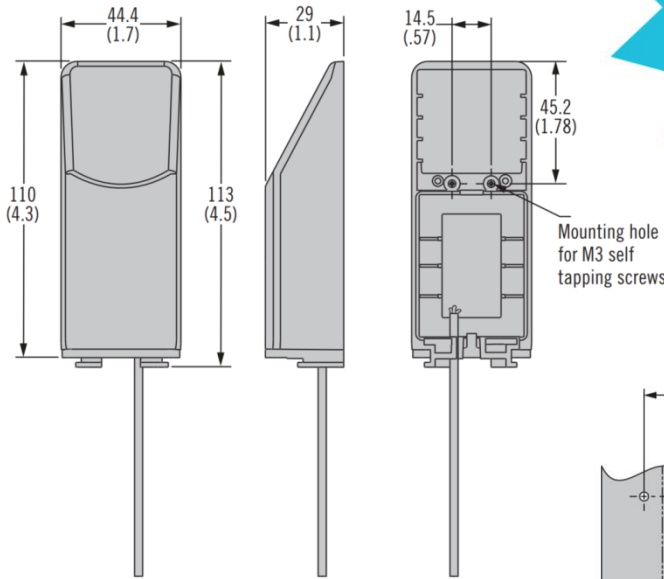
- Glass-filled nylon (UL94-V0), Black, Polycarbonate, Clear Screws: Steel, zinc plated

### Electrical Specifications

- Supply Voltage: 12 to 24VDC
- **EA-P5-30200 Series** only at 12 VDC +/-10%
- Operating Current: 200mA Max



Additional 2FA reader options available, contact Gripwell for details



**EA-P5-300-31**  
Optional bottom cap for standalone reader use

**EA - P5 - 30 R 00**

<span style="border: 1px solid black; padding: 2px;">R</span> Compatible Card Type Default <sup>†**</sup> PACS = Physical Access Control System    UID = Unique Identifier    CSN = Card Serial Number							Output
R	MIFARE® Classic 4k	MIFARE Plus® 2k	MIFARE® DESFire® 4k	HID® iCLASS	HID® 125kHz Prox	EM 125kHz Prox	Wiegand
2	UID	UID	UID	UID	CSN		✓
6	UID	UID	UID	UID			✓
8					CSN		✓



### Card Part Numbers

- EA-C2-021-9 (HID® 125kHz card, 26bit, 1.8 (0.07) thick)\*\*
- EA-C3-101-9 (MIFARE® Classic 1k card, 4B CSN, 0.8 (0.03) thick)\*\*

